

# BELLATERRA HOME

**Model: 203108**

## Tools List (Not included)



Tape Measure



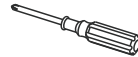
Pencil



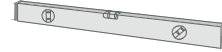
Electric Drill



Drill Bit



Screwdriver



Spirit Level



Silicone

## Parts List (Included)



Screw  
(2pcs)

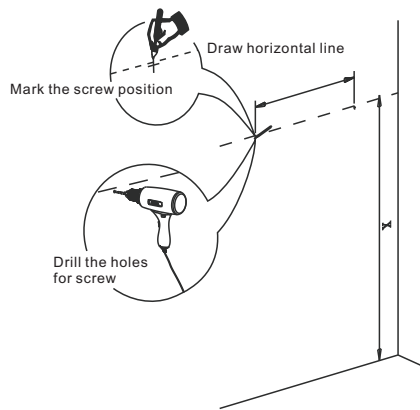


Anchor  
(2pcs)



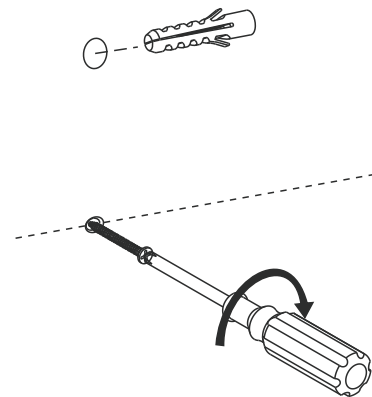
Foam pad  
(4pcs)

Mark the position of the screw holes on the wall by measuring the space between the mounting brackets on the back of the vanity. Vertical position (X) is decided by the user, remember to mark low enough to accommodate the sink on the top of the vanity counter or it will be too high when installed. Use a spirit level to ensure the screw holes are in line.



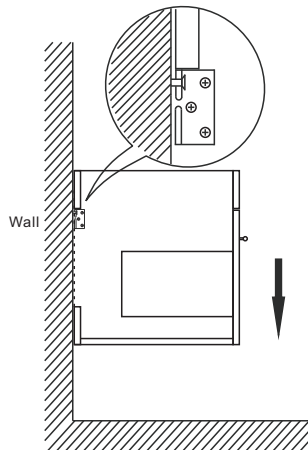
**Step 1**

Insert the anchor into the screw hole for reinforcement.



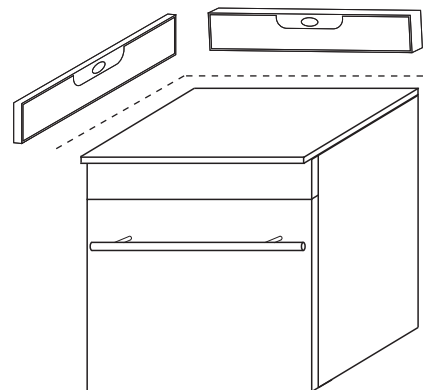
**Step 2**

Attach the vanity to the wall by lowering the bracket onto the screws.



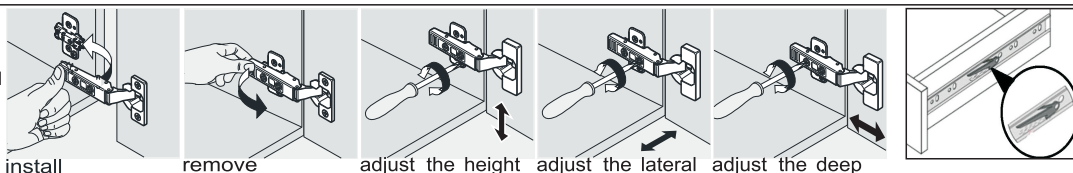
**Step 3**

Use a spirit level to ensure the vanity is level from left to right and front to back, adjust if needed.



**Step 4**

### INSTALLATION TIPS:



press down the pin on this side & press up the one on another side to pull out the drawer box.

**NOTE: SINK STYLE, SHAPE, FAUCET HOLES, CUTOUT ON TOP, VANITY MAY VARY FROM THE PICTURE ABOVE. INSTRUCTIONAL PURPOSE ONLY.**

Professional installation is recommended.  
www.bellaterra-home.com

Bellaterra Home LLC, All Rights Reserved 2015